

ACC-IPN

*WHAT'S HAPPENING ON
OUR LINKEDIN?*

Natasha Newberry (She/Her) • You
Assistant Vice President, Senior Counsel
★ Admin • Admin • 1w

On the last day of #BHM2024 we are highlighting the contributions of Jan Matzeliger, who invented a shoe lasting machine that automated the joining of shoe soles to the upper portion of the shoe!

#intellectualproperty #patent #according to #intellectualpropertynetwork



NIHF Inductee Jan Matzeliger Invented the Shoe Lasting Machine

BLACK HISTORY MONTH


Association of Corporate Counsel - Intellectual Property Network

Natasha Newberry (She/Her) • You
Assistant Vice President, Senior Counsel
★ Admin • Admin • 1mo • Edited

HAPPY BLACK HISTORY MONTH 2024!

Once again, we will take this month to highlight the contributions of Black inventors, starting with William H. Richardson, who patented an improvement to make the baby carriage reversible.


#blackhistorymonth #patent #inventor #intellectualpropertynetwork



Association of Corporate Counsel - Intellectual Property Network

Natasha Newberry (She/Her) • You
Assistant Vice President, Senior Counsel
★ Admin • Admin • 1mo

As we continue to highlight the contributions of Black inventors this month, today we celebrate Lonnie Johnson, the creator of the Super Soaker!



Lonnie Johnson



Recent

- Association of Corporate Coun...
- Mastering Business-First Lawy...
- 2023 Equity in the Law Sympo...
- 2023 Creating Pathways to Div...
- LexisNexis African American A...

Groups

- Association of Corporate Coun...
 - LexisNexis African American A...
 - 2022 MCCA Sources of Succes...
- Show more ▾

Events



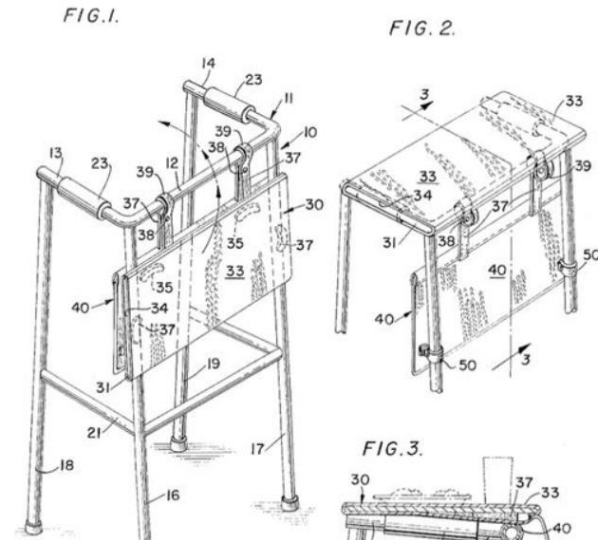
Followed Hashtags

Discover more



Natasha Newberry (She/Her) • You
Assistant Vice President, Senior Counsel
now

Continuing with highlighting the endless contributions of women throughout history, we acknowledge Mary Beatrice Davidson Kenner who holds five patents including for the sanitary belt, a walker with a serving tray and a toilet p ...see more



WOMEN'S HISTORY MONTH



Assistant Vice President, Senior Counsel
★ Admin • Admin • 1w

It's Women's History Month 😊

It should come as no surprise that the ingenuity of women has played a vital role in our everyday lives. Their inventions have led to the creation of essential tools/tech that we rely on daily. This month we will be highlighting some of these incredible women starting with Patricia Bath, a newly inducted member of the National Inventors Hall of Fame, who invented a new device and technique to remove cataracts!

[#womenshistorymonth](#) [#acc](#) [#intellectualpropertynetwork](#) [#inventors](#)



- ▶ If there are other things you want to see us highlight or discuss in our LinkedIn group, let us know!
- ▶ <https://www.linkedin.com/groups/8673432/>